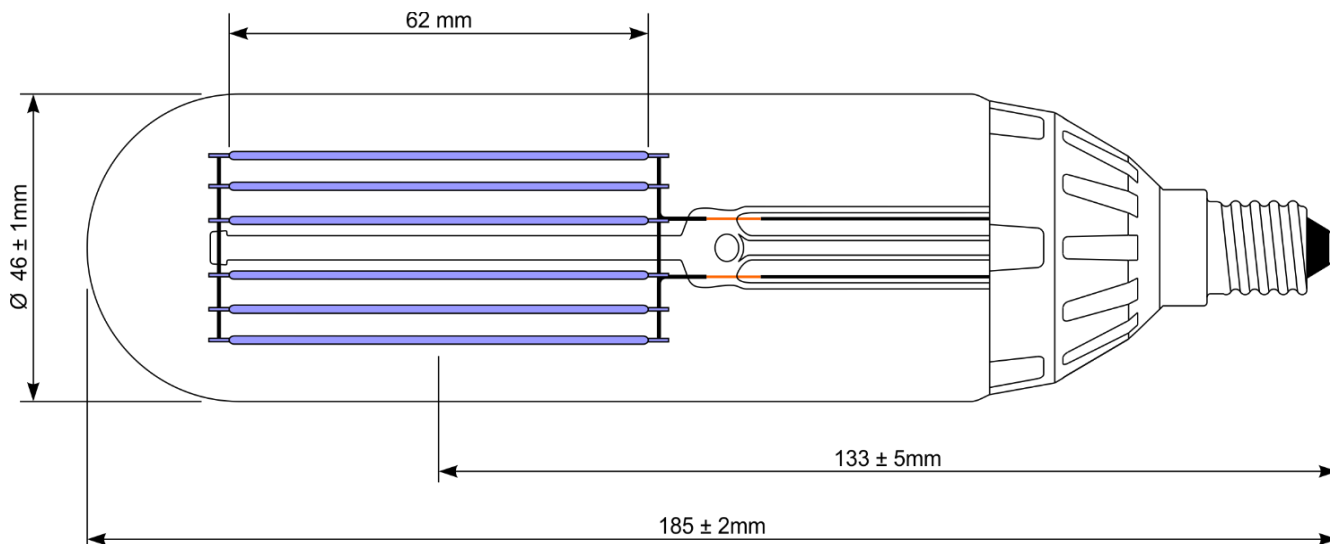




## MECHANICAL DATA:



**Bulb type :** T46

**Cap type :** E14/24x17

**Finish:** Clear hardglass bulb, UV-resistant ceramic base

### ELECTRICAL DATA:

		<b>RATED</b>	<b>MIN.</b>	<b>MAX.</b>
Lamp Power	(W) :	5.0	4.5	5.5
Lamp Voltage	(V) :	230	220	240
Lamp Current	(mA) :	45	41	50
Energy Consumption per 1000h	(kW/h) :	5.0	-	-
Power Factor	(λ) :	0.5	-	-
Supply Frequency	(Hz) :	50	47	63

### PHOTOMETRIC DATA:

		<b>RATED</b>	<b>MIN.</b>	<b>MAX.</b>
UVA Irradiance @ 1m	(mW/m <sup>2</sup> ) :	50	38	63
Peak Wavelength	(nm) :	370	365	375
Dominant Wavelength	(nm) :	465	-	-
Luminous Flux	(lm) :	10	-	20
Chromaticity Co-ordinates	(x,y) :	0.150 , 0.025	6 SDCM	

### LIFE DATA:

		<b>RATED</b>	<b>MIN.</b>	<b>MAX.</b>
Average Life (L <sub>50</sub> )	(h) :	12,000		
Abrupt Failures @ Rated Life	(%) :			10
Switching Cycles	(#) :		100,000	

### OPERATING CONDITIONS:

		<b>RATED</b>	<b>MIN</b>	<b>MAX</b>
Ta Ambient temperature range	(°C) :	25	-40	45
Tp Point (measured VBD)	(°C) :	50	-	70
Starting Time	(s) :	-	-	<0.5
Warm-up Time to >95% Flux	(s) :	-	-	<1.0
Burning Position	:		Universal	
External Control Gear type	:		None	

**APPLICATION:** Ultraviolet source to replace fluorescent blacklight lamps. Suitable for indoor use only. Suitable for operation directly on 230V mains supply. Not dimmable. Complies with IEC62560, IEC62612, IEC62471, IEC61547, IEC61000, EN55015, EN62493.

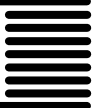
Issued by : TIENEN

Revision date : 16-III-2021

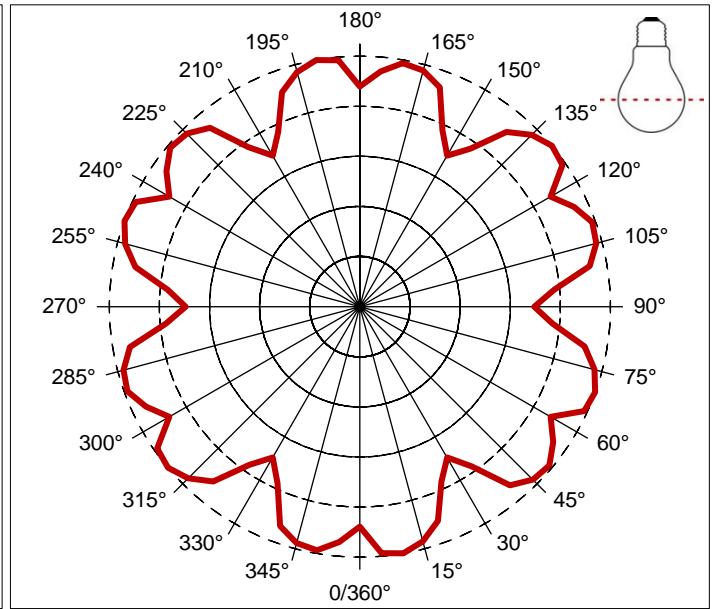
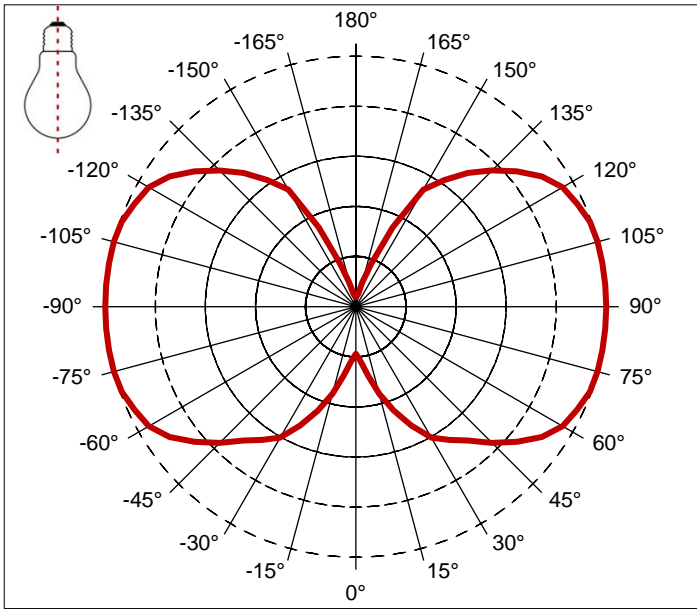
## DATA SHEET

Specification No. : 70-T-0086300/D

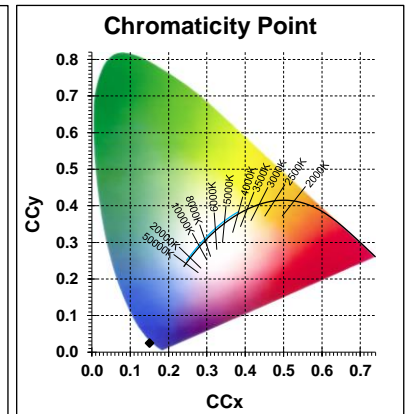
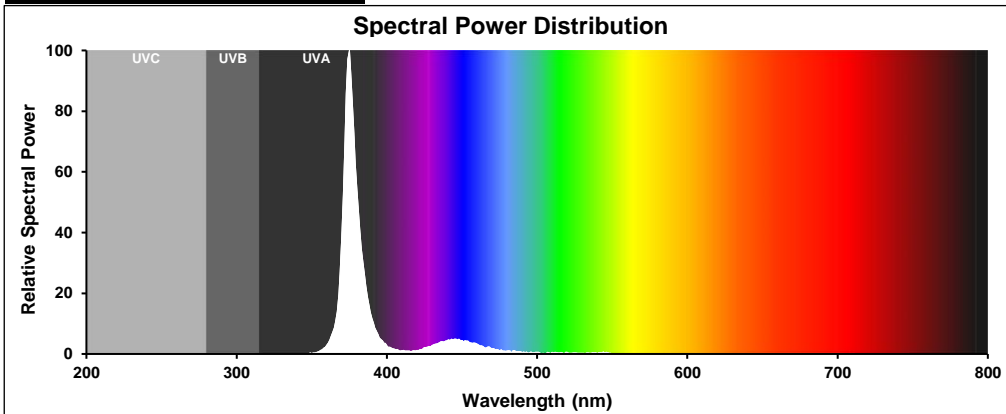
Page : 1 of 2



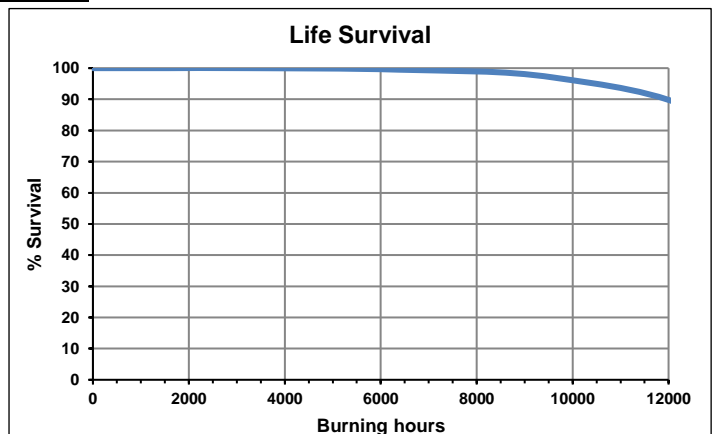
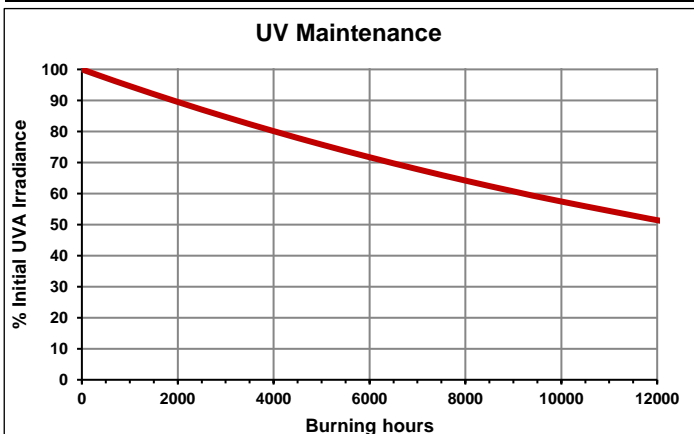
**PHOTOMETRIC GRAPHICS:**



**SPECTRAL GRAPHICS:**



**PERFORMANCE GRAPHICS: (Under Consideration)**



Issued by : TIENEN  
Revision date : 16-III-2021

**DATA SHEET**

Specification No. : 70-T-0086300/D  
Page : 2 of 2